

# SCANGRIP TRIPOD

03.5431

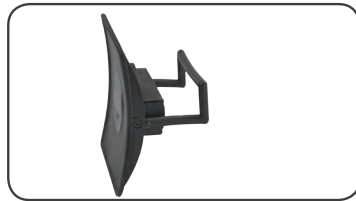


## BRACKET TYPE

Bracket type 1



Bracket type 2

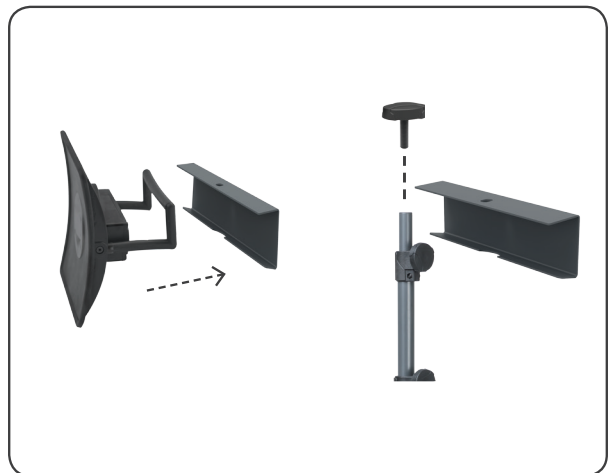


## MOUNTING ON A TRIPOD

Bracket type 1

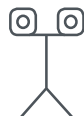


Bracket type 2



# Optional accessories

DUAL BRACKET  
Item no. **03.5308**



## MOUNTING ON DUAL BRACKET

Bracket type 1



Bracket type 2

