

Operator name and signature: RU Rolf Ugilt

Output:	4544 lm
Peak:	1807 cd
Lux@50cm:	7227 Lux
Power:	42,3 W
Power Factor / DF ϕ 1:	0,9
Standby power	0,00 W

Light efficacy:

107 Lumen/Watt

Light quality:

CRI: 85,6

Color temperature:

2810 K



According to regulation (EU) 2019/2015

Directionality:	Directional
Useful Lumen:	3732 lm
η TM - Efficacy	104 lm/W
Energy Class:	F

Product name:

Vega Lite Colour 2500K

Item number:

03.5459

Date and time:

13-12-2022 10:22:31

Description:

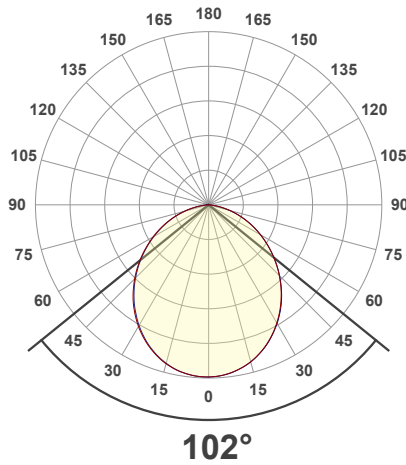
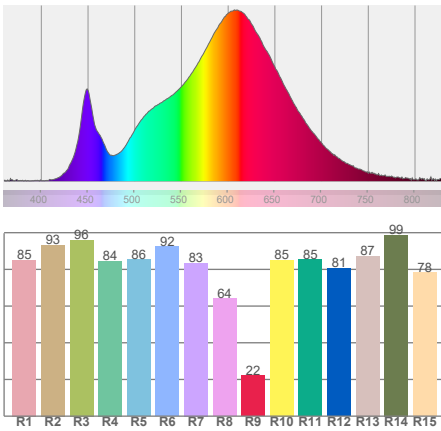
Standby Power: 0W

Sensor distance: 300cm

Warmup: <2% in 15 minutes

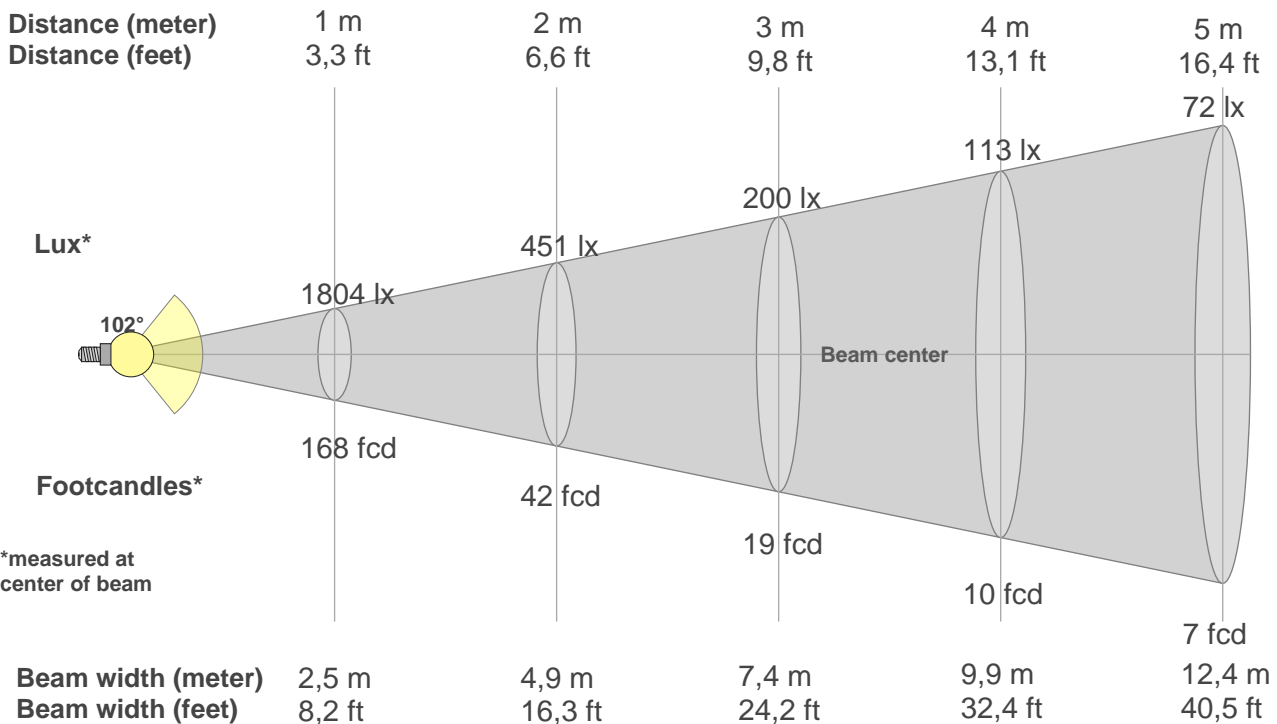
Power Supply: 230Vac

Spectra



BEAM DETAILS

Beam distance: 84,9 meters



Beam intensities from 1-20m

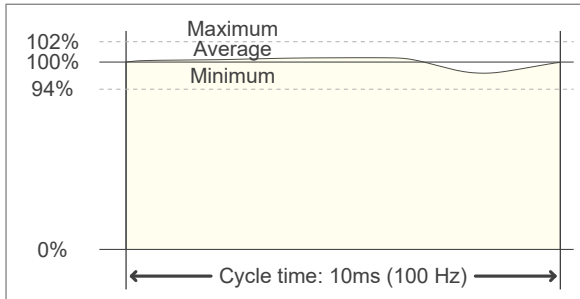
1m	2m	3m	4m	5m	6m	7m	8m	9m	10m	11m	12m	13m	14m	15m	16m	17m	18m	19m	20m
3,3ft	6,6ft	9,8ft	13,1ft	16,4ft	19,7ft	23ft	26,2ft	29,5ft	32,8ft	36,1ft	39,4ft	42,7ft	45,9ft	49,2ft	52,5ft	55,8ft	59,1ft	62,3ft	65,6ft
1804lx	451lx	200lx	113lx	72lx	50lx	37lx	28lx	22lx	18lx	15lx	13lx	11lx	9lx	8lx	7lx	6lx	6lx	5lx	5lx
167,6fcd	41,9fcd	18,6fcd	10,5fcd	6,7fcd	4,7fcd	3,4fcd	2,6fcd	2,1fcd	1,7fcd	1,4fcd	1,2fcd	1fcd	0,9fcd	0,7fcd	0,7fcd	0,6fcd	0,5fcd	0,5fcd	0,4fcd

FLICKER DETAILS

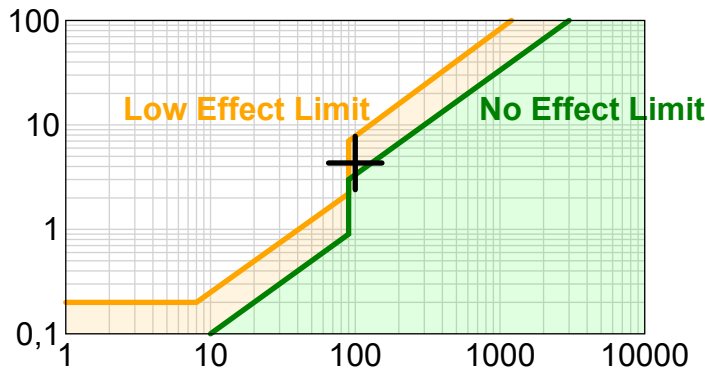
Flicker curve (complete sampled flicker signal)



Flicker frame (frame of one flicker period)

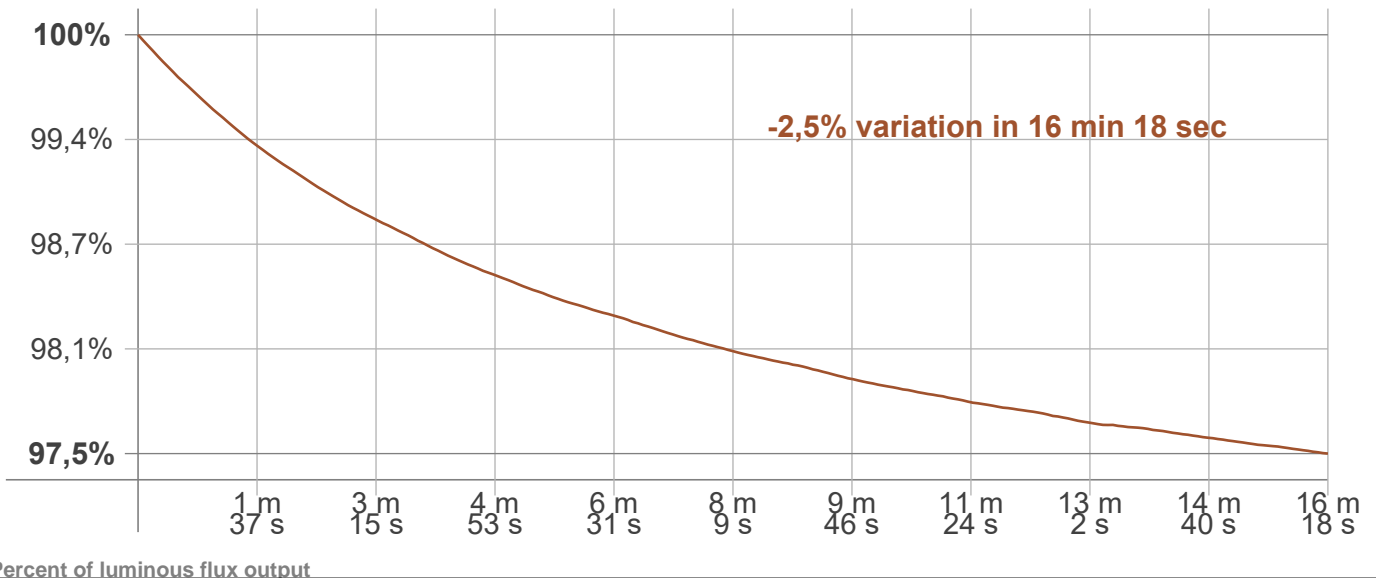


Flicker frequency:	100 Hz
Flicker index:	0,01
Flicker percentage:	4,32 %
SVM: (Visual flicker)	0,12
Pst LM:	0,06
SDCM	13,6
Rated Color Temperature	2500 K
Duv	-0,0036
CIE Coordinates (x, y)	0,446, 0,398
CIE Coordinates (u, v)	0,259, 0,347



Flicker IEEE 1789

WARMUP DETAILS according to EN 13032-1



Operator name and signature: RU Rolf Ugilt

Output:	5047 lm
Peak:	2003 cd
Lux @50cm:	8011 Lux
Power:	40,9 W
Power Factor / DF ϕ 1:	0,9
Standby power	0,00 W

Light efficacy:

123 Lumen/Watt

Light quality:

CRI: 89,4

Color temperature:

4371 K



According to regulation (EU) 2019/2015

Directionality:	Directional
Useful Lumen:	4144 lm
η TM - Efficacy	119 lm/W
Energy Class:	E

Product name:

Vega Lite Colour 4500K

Item number:

03.5459

Date and time:

13-12-2022 10:45:57

Description:

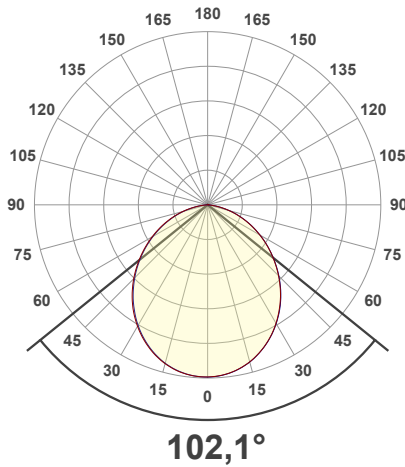
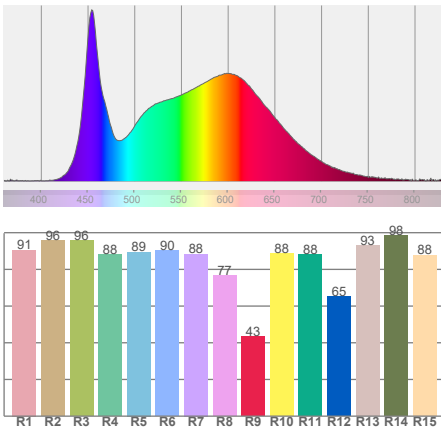
Standby Power: 0W

Sensor distance: 300cm

Warmup: <2% in 15 minutes

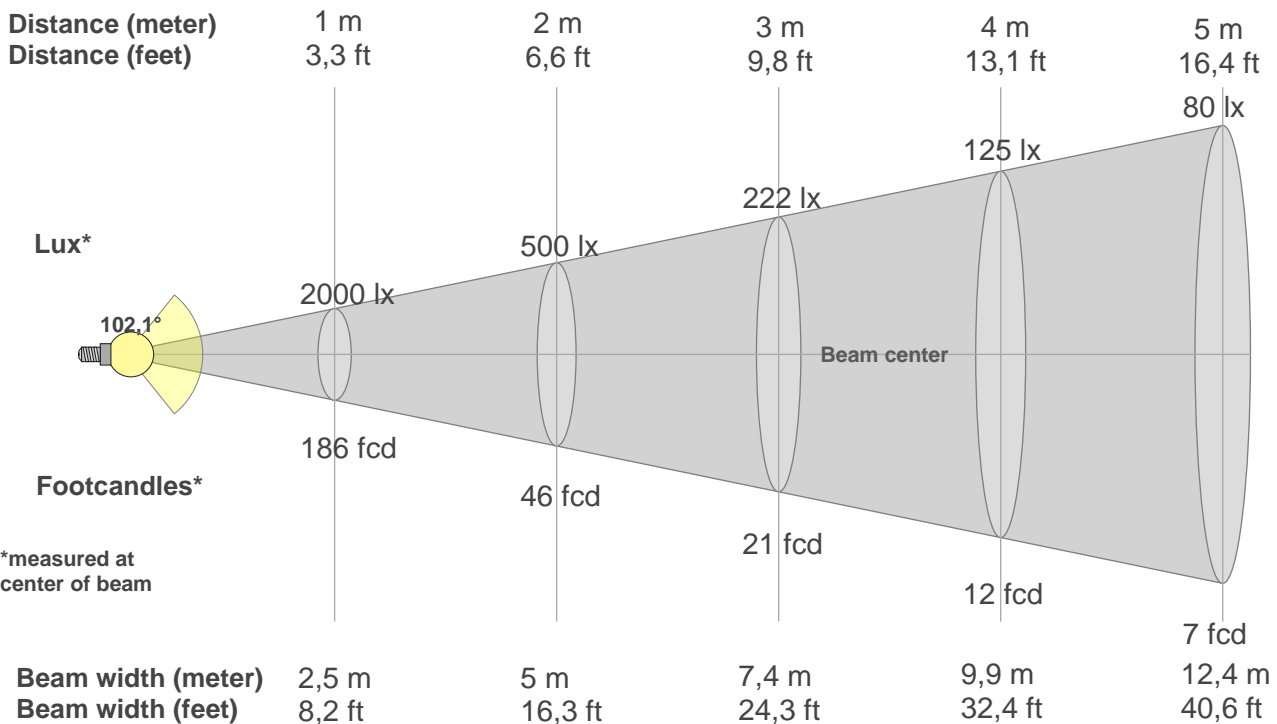
Power Supply: 230Vac

Spectra



BEAM DETAILS

Beam distance: 89,5 meters

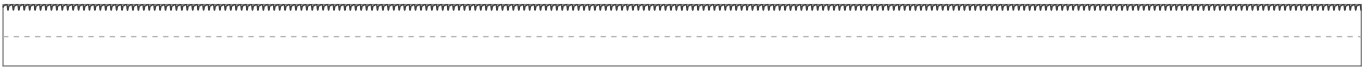


Beam intensities from 1-20m

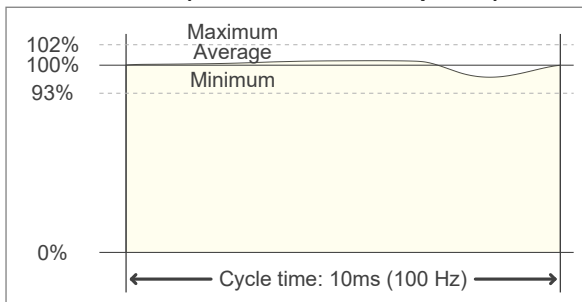
1m	2m	3m	4m	5m	6m	7m	8m	9m	10m	11m	12m	13m	14m	15m	16m	17m	18m	19m	20m
3,3ft	6,6ft	9,8ft	13,1ft	16,4ft	19,7ft	23ft	26,2ft	29,5ft	32,8ft	36,1ft	39,4ft	42,7ft	45,9ft	49,2ft	52,5ft	55,8ft	59,1ft	62,3ft	65,6ft
2000lx	500lx	222lx	125lx	80lx	56lx	41lx	31lx	25lx	20lx	17lx	14lx	12lx	10lx	9lx	8lx	7lx	6lx	6lx	5lx
185,9fcd	46,5fcd	20,7fcd	11,6fcd	7,4fcd	5,2fcd	3,8fcd	2,9fcd	2,3fcd	1,9fcd	1,5fcd	1,3fcd	1,1fcd	0,9fcd	0,8fcd	0,7fcd	0,6fcd	0,6fcd	0,5fcd	0,5fcd

FLICKER DETAILS

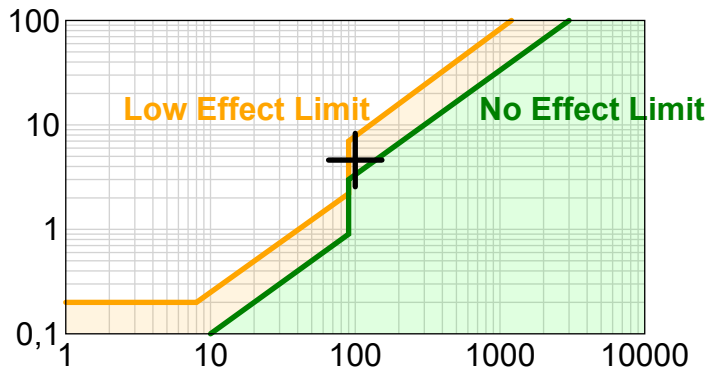
Flicker curve (complete sampled flicker signal)



Flicker frame (frame of one flicker period)

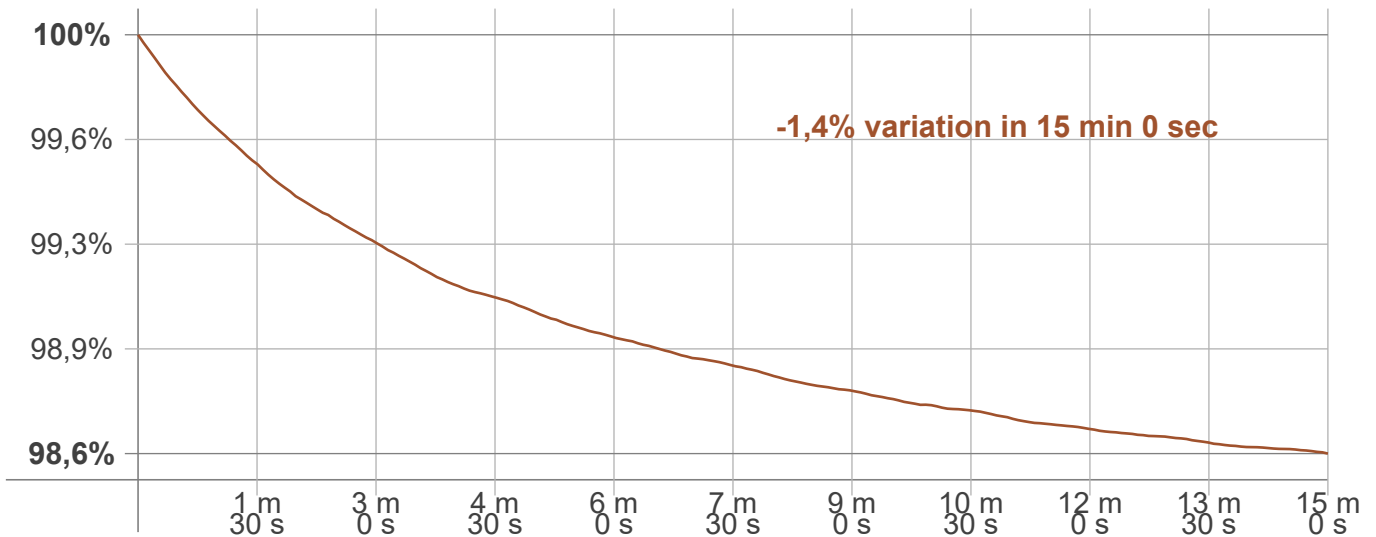


Flicker frequency:	100 Hz
Flicker index:	0,01
Flicker percentage:	4,61 %
SVM: (Visual flicker)	0,12
Pst LM:	0,07
SDCM	5,7
Rated Color Temperature	4500 K
Duv	-0,0064
CIE Coordinates (x, y)	0,363, 0,352
CIE Coordinates (u, v)	0,223, 0,325



Flicker IEEE 1789

WARMUP DETAILS according to EN 13032-1



Percent of luminous flux output

Operator name and signature: RU Rolf Ugilt

Output:	5187 lm
Peak:	2054 cd
Lux@50cm:	8217 Lux
Power:	42,5 W
Power Factor / DF ϕ 1:	0,9
Standby power	0,00 W

Light efficacy:

122 Lumen/Watt

Light quality:

CRI: 85,9

Color temperature:

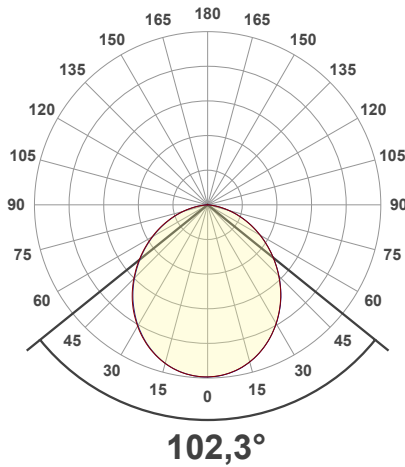
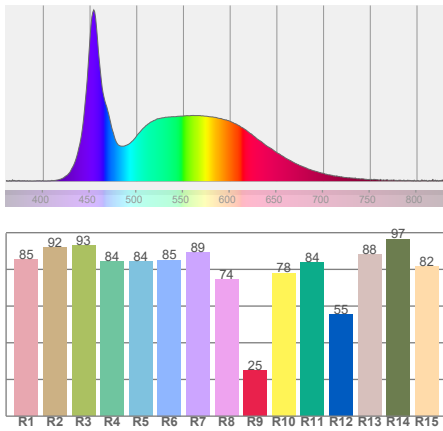
6601 K



According to regulation (EU) 2019/2015

Directionality:	Directional
Useful Lumen:	4257 lm
η TM - Efficacy	118 lm/W
Energy Class:	E

Spectra



Product name:

Vega Lite Colour 6500K

Item number:

03.5459

Date and time:

13-12-2022 09:45:47

Description:

Standby Power: 0W

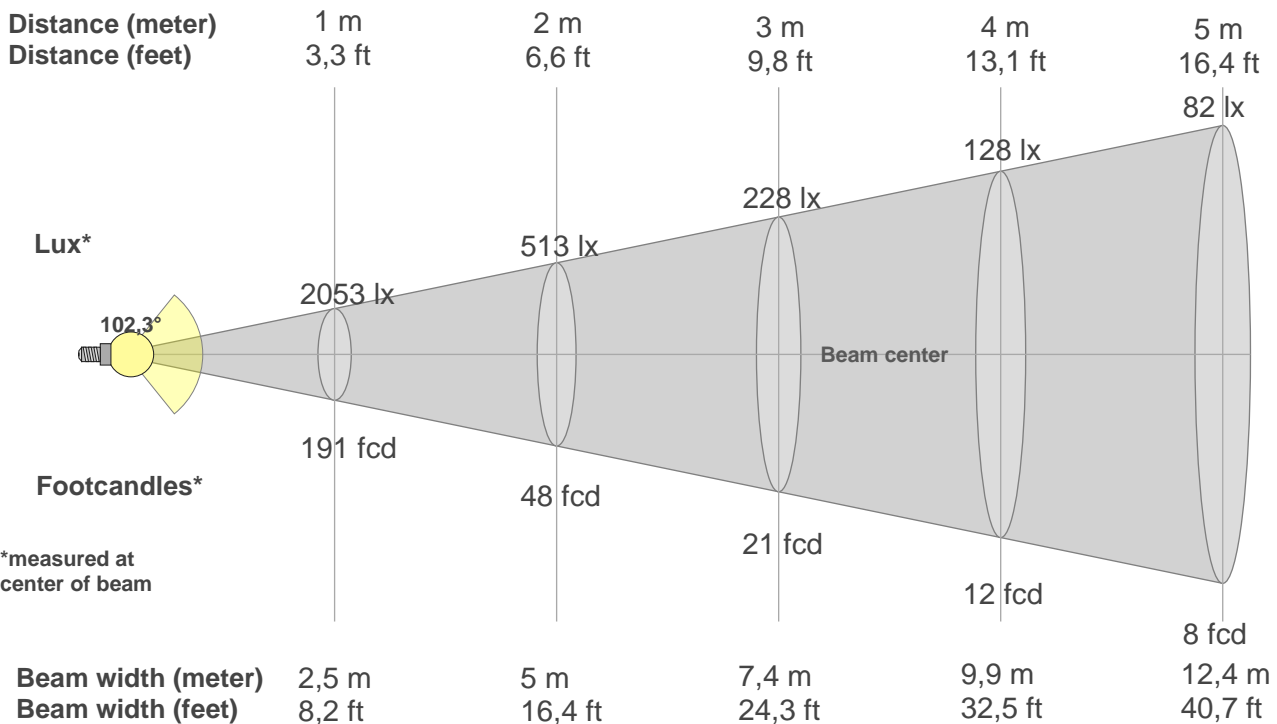
Sensor distance: 300cm

Warmup: <2% in 15 minutes

Power Supply: 230Vac

BEAM DETAILS

Beam distance: 90,6 meters



*measured at center of beam

Beam intensities from 1-20m

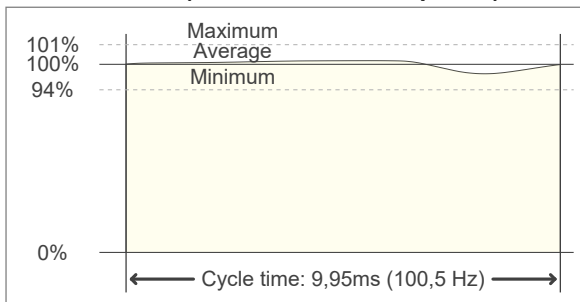
1m	2m	3m	4m	5m	6m	7m	8m	9m	10m	11m	12m	13m	14m	15m	16m	17m	18m	19m	20m
3,3ft	6,6ft	9,8ft	13,1ft	16,4ft	19,7ft	23ft	26,2ft	29,5ft	32,8ft	36,1ft	39,4ft	42,7ft	45,9ft	49,2ft	52,5ft	55,8ft	59,1ft	62,3ft	65,6ft
2053lx	513lx	228lx	128lx	82lx	57lx	42lx	32lx	25lx	21lx	17lx	14lx	12lx	10lx	9lx	8lx	7lx	6lx	6lx	5lx
190,7fc	47,7fcd	21,2fcd	11,9fcd	7,6fcd	5,3fcd	3,9fcd	3fcd	2,4fcd	1,9fcd	1,6fcd	1,3fcd	1,1fcd	1fcd	0,8fcd	0,7fcd	0,7fcd	0,6fcd	0,5fcd	0,5fcd

FLICKER DETAILS

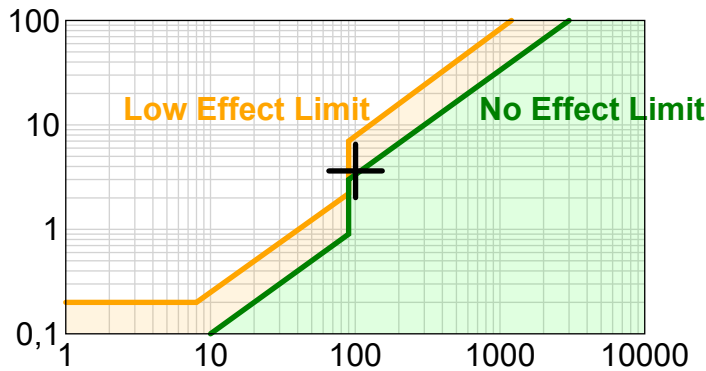
Flicker curve (complete sampled flicker signal)



Flicker frame (frame of one flicker period)

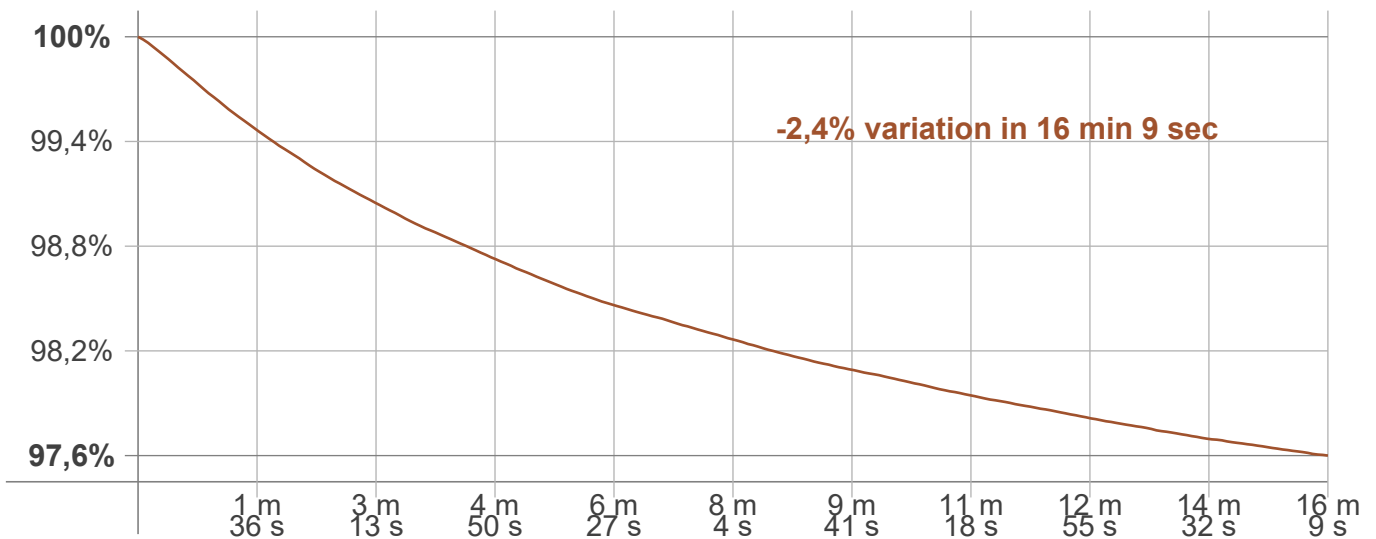


Flicker frequency:	100,5 Hz
Flicker index:	0,01
Flicker percentage:	3,63 %
SVM: (Visual flicker)	0,1
Pst LM:	0,05
SDCM	2,6
Rated Color Temperature	6500 K
Duv	0,0016
CIE Coordinates (x, y)	0,312, 0,325
CIE Coordinates (u, v)	0,199, 0,311



Flicker IEEE 1789

WARMUP DETAILS according to EN 13032-1



Percent of luminous flux output